



UPDATED INSTALLATION GUIDELINES FOR LAMINATE HERRINGBONE – LONG AND SHORT JOINTS MUST BE GLUED WITH PVA GLUE

Please note the below key points for installing Kronotex laminate herringbone. All of the below are crucial for successful performance of the product. Herringbone floors have three times more joints than a regular laminate plank floor, therefore following below is critical for successful installation.

Floor Levels

- Floor must be checked for levels before installation.
- Max tolerance is 1mm over 1m. This allows significantly less tolerance than regular laminate plank and is the main reason to affect herringbone performance.
- Correct floors with floor levelling compound if required. Do not install if levels are not correct.

Underlay

- Only use high quality underlays. Do not install using Soft underlays.
- 3mm Silent Plus should be used under laminate herringbone without underfloor heating.
- For underfloor heating, use 2mm Heatmaster.
- Softer underlays allow for too much movement of the click joint underfoot. Maximum underlay thickness is 3mm.

Gluing of the End joints

- All floor joints must be glued using PVA wood glue.
- Each board needs to be glued on two sides - short and long side (see image below showing bead of glue on joints).
- This is to ensure optimum performance of the board across different condition. Do not install boards unless joints are glued.



Installation layout

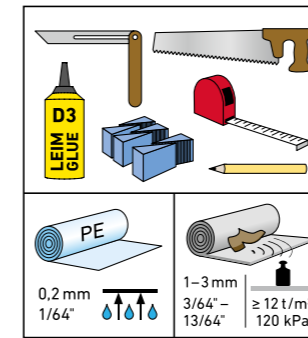
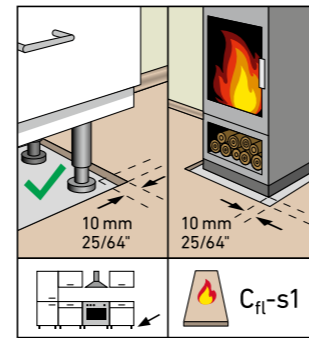
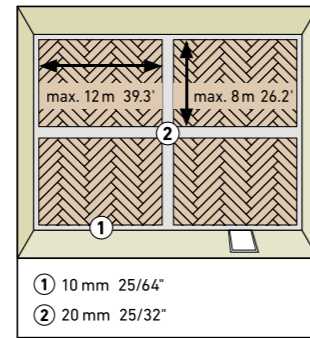
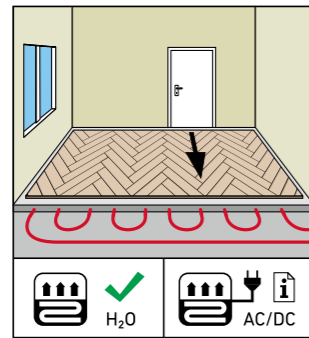
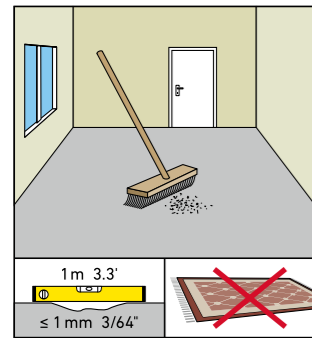
- Installation should be 1 room only and does not allow for multiple rooms to be joined together. If installing in multiple rooms, please provide an expansion gap at each doorway.

Failure to follow the above instructions may result in the floor underperforming.

KRONOTEX FULLY GUARANTEE THE PRODUCT PER THE ABOVE GUIDELINE

IRELAND - INSTALLATION INSTRUCTIONS

HERRINGBONE



SWISS KRONO TEX GMBH & CO. KG
Wittstocker Chaussee 1
D-16909 Heiligengrabe / Germany
www.swisskrono.de
www.swisskrono.com

